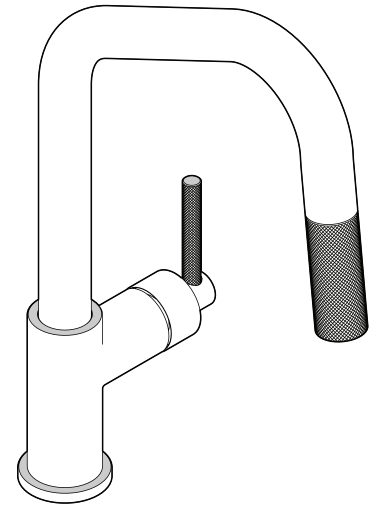


**VIGO Utopia Pull-Down Kitchen Faucet  
VG02038**



**PRODUCT FEATURES**

- 360° swivel spout
- 1.8 gpm flow rate
- Single-hole installation
- Designed in NYC
- Water pressure tested for industry standard
- Sedal ceramic disc cartridge tested for 500,000 uses
- Thermostable, this faucet is freeze-resistant and pressure resistant up to 362.5 PSI
- Spray face resists mineral buildup and easy to clean
- All mounting hardware and hot/cold waterlines included
- Dual action, pull-down spray head for aerated flow or powerful spray
- All VIGO products are plated in the same facility to ensure consistency in color and finish
- Solid brass construction with premium chrome finish
- Smart handle design moves 90° forward to allow for tighter spaces and delicate backsplashes
- VIGO finishes resist corrosion and tarnishing, exceeding industry durability standards

**CODES / STANDARDS**



- CEC (Title 20) flow rate compliant (A 1.8GPM flow rate stays within the CEC (Title 20) compliancy.)
- cUPC, NSF-61, NSF-372, CALGreen and AB1953 certified by IAPMO
- ADA compliant
- All VIGO Kitchen Faucets have a Limited Lifetime Warranty\*

**PACKING LIST**

- Faucet Assembly
- Sprayer
- Allen Key
- Two Metal Braided
- Counterweight
- Plastic Holder

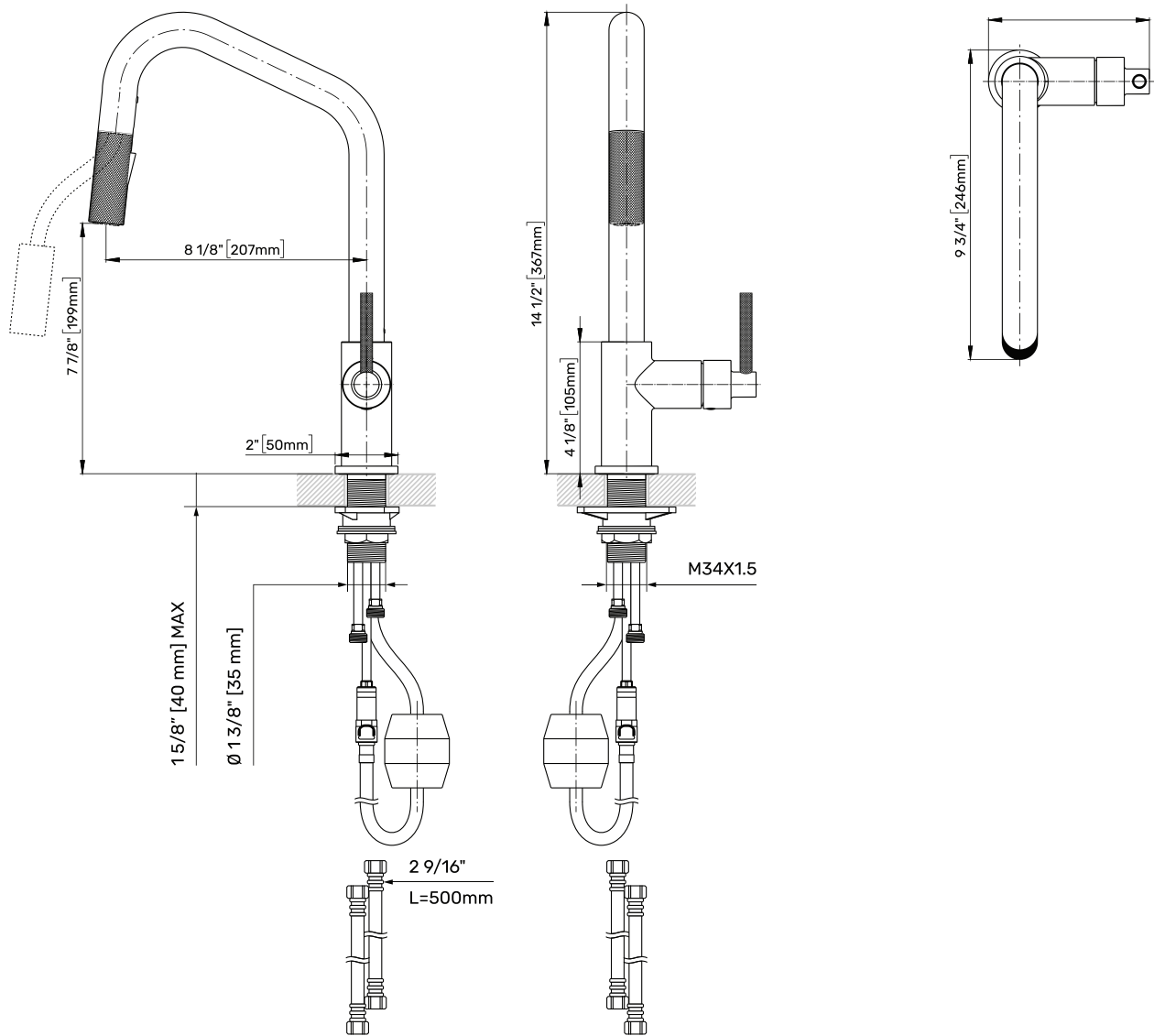
**MATERIAL**

- Housing material: Brass
- Valve material: Ceramic
- VIGO 7-layer coated finish resists corrosion and tarnish, maintaining a pristine look for years to come.

\* See website for detailed warranty information.

\*\*Color swatches intended for reference only.

VIGO Utopia Pull-Down Kitchen Faucet  
VG02038



DIMENSIONS			
Faucet height	14 1/2" (367mm)	Pressure	60 psi
Spout reach	8 1/8" (207mm)	Spout Type	Pull-down
Hose length	30"	Spray mode	Spray & Stream
Spout swivel	360°	Water supply connection	Standard US plumbing 3/8" connections
Flow rate	1.8 gal/min	Installation compatibility	1-, 2-, 3- and 4-hole sink
Valve body	Brass		

**NOTE**

Install this product according to the installation instructions.

VIGO reserves the right to make revisions without prior notice.

For the most updated specifications, please go to:

[www.vigoindustries.com](http://www.vigoindustries.com)

or email us at:

[support@vigoindustries.com](mailto:support@vigoindustries.com)

**QUESTIONS?**

For installation help, missing or replacement parts, please contact our product specialist for consultation.

☎ +1 866-591-7792 (Option 2) (9:30 am - 5:30pm EST)      ✉ [techmail@vigoindustries.com](mailto:techmail@vigoindustries.com)

**CONNECT WITH US**

**vigoindustries**